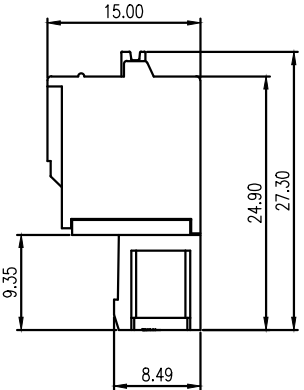
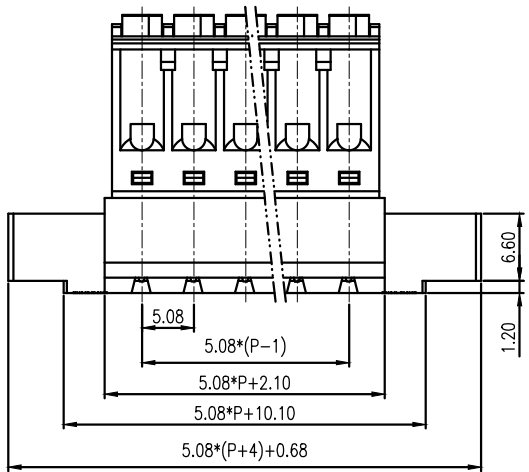
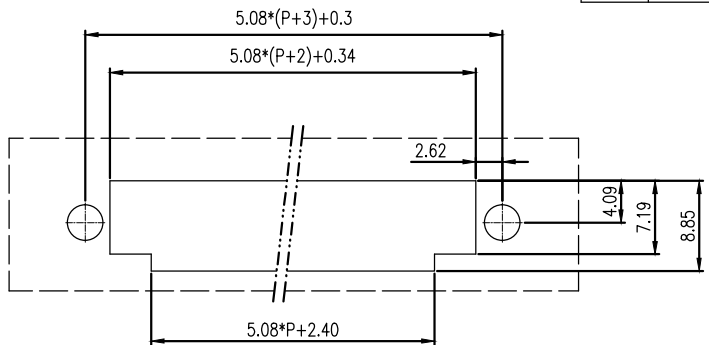
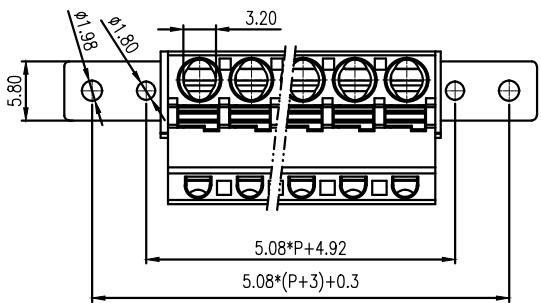


REVISION RECORD			
REV.	CONTENT	MOD.	DATE
△	初版发行		



NOTES1:
 UL Standard:
 1.Voltage Rating: 300V, Current Rating: 10A
 2.Suitable Electric Wire: 26-12AWG
 IEC Standard:
 1.Voltage Rating: 400V, Current Rating: 15A
 2.Suitable Electric Wire: 24-12AWG
 NOTES2:
 1.Pitch : 5.08mm
 2.Withstand Voltage : AC2500V for 1 minute
 3.Insulation Resistance : 500MΩ / DC500V
 4.Using Temperature Range : -40℃ ~ +105℃

技术要求1:
 UL 标准:
 1. 额定电压: 300V, 额定电流: 10A
 2. 适用线规: 26~12AWG
 IEC 标准:
 1. 额定电压: 400V, 额定电流: 15A
 2. 适用线规: 24~12AWG

技术要求2:
 1. 间距: 5.08mm
 2. 耐受电压值: AC2500V/min
 3. 绝缘阻抗: 500MΩ/DC500V
 4. 使用条件: -40℃~+105℃

7	LZ1HM-7.62 耳朵螺母	SM00B30000V	2	黄铜	
6	LZ1-耳朵螺母	SM00B25000V	2	黄铜	
5	LC60-5.08五金件	2083B0001AV	P	磷青铜	镀亮锡
4	LC6-5.08-弹片	F2A0DLC658BV	P	不锈钢	
3	LC6-5.08-按钮	1020D0Y01AV	P	POM	
2	LC60MGC1-5.08-盖板	2098C0YXXAV	1	PA66-V0	
1	LC60-5.08-本体	1020A0YXXAV	1	PA66-V0	
NO.	NAME OF PART	NO. OF PART	Q'TY	MATERIAL	NOTES
DES.	WYY	DATE	23/11/10	UNITS	MM
CHK.		DATE		SIZE	A4
APP.		DATE		SCALE	1:1
				DWG NO.	SP-2-208302
				REV:	V0
				TITLE	LC60MGC1-5.08-成品

	pitch dimension			Nominal dimension					— ◇ ○
	over 0	over 6	over 10	over 0	over 30	over 60	over 100	over 150	
variable range	to 6	to 10	to 24	to 30	to 60	to 100	to 150		
Tolerance	±0.1	±0.15	±0.25	±0.2	±0.3	±0.5	±0.7	±1.0	0.05/10

 上海有乐电气有限公司
 Shanghai YouLe Electric Co., LTD

LC60MGC1-5.08-XXP-1Y-00A
 (XXP表示孔径, 1Y表示任意颜色)
 LC60MGC1-5.08-成品